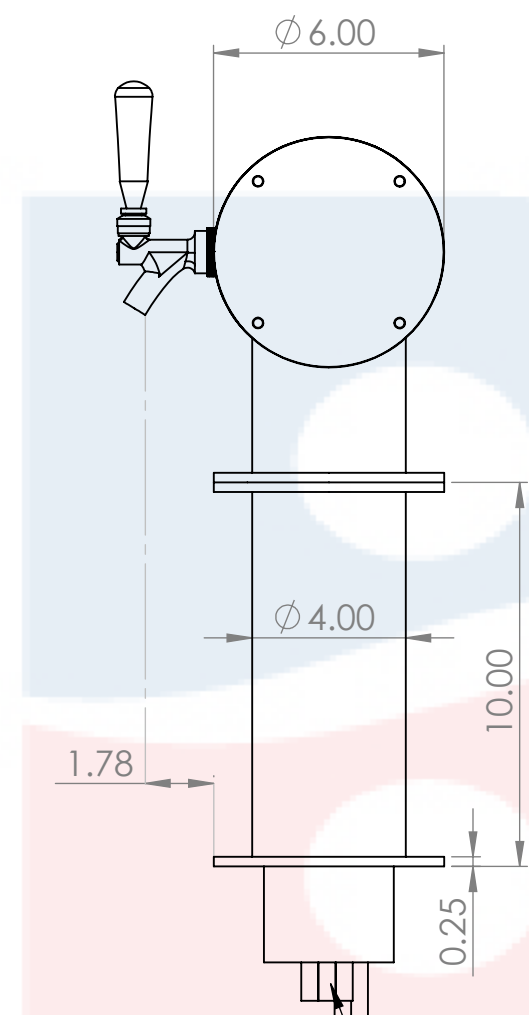
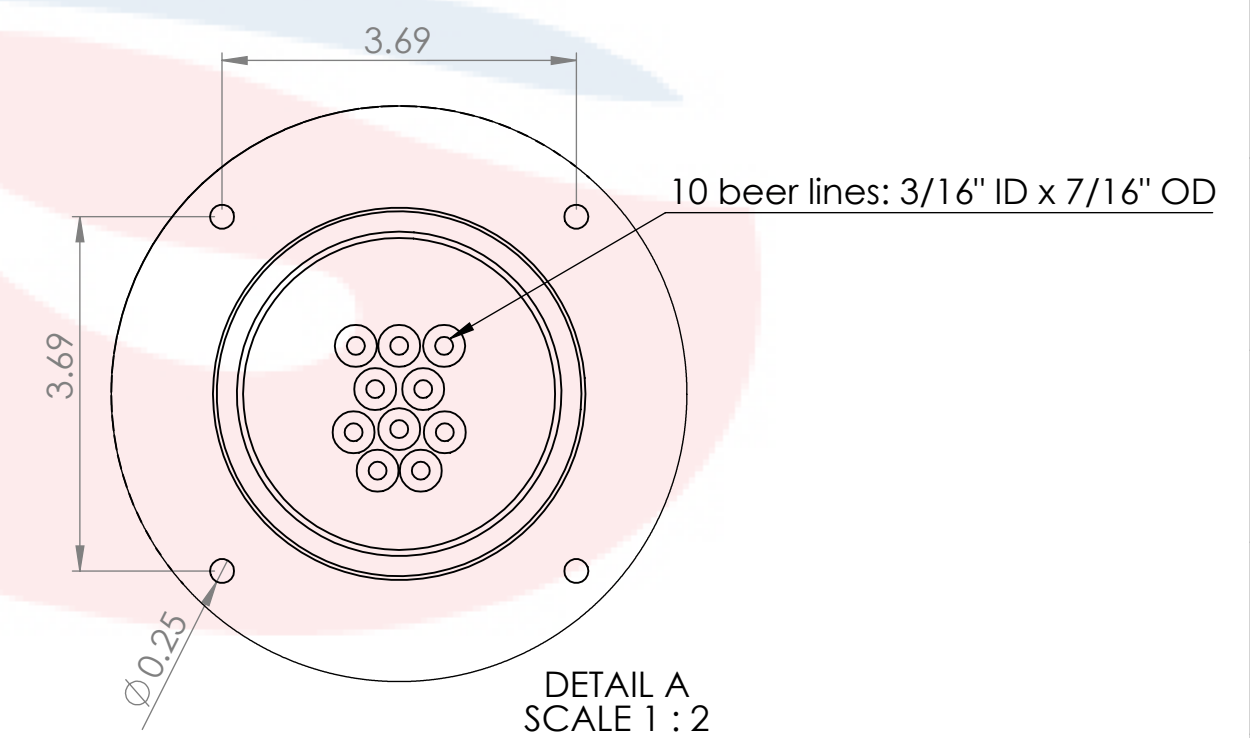


Isometric View
(For reference purpose only)



304SS tube connected to CBS NSF Flexible Total Barrier Tubing to 15lbs of Restriction



DETAIL A
SCALE 1:2

Suggested Drip Tray:
 BB701351 - 51" x 7" BSS Drip Tray
 BB702451 - 51" x 7" BSS Spray Drip Tray



| | | | | | |
|---|-------------------------------|------------|-------------|------------------------|--|
| Name | | Date | | Title: | |
| Drawn by: | Canadian Beverage Supply Inc. | 11/17/2022 | | 4" 10 Tap Condor Tower | |
| Approved by: | | VP Sales | | Part Number: | |
| Material: | 304 SS | Finish: | Polished SS | BB102612-10SS | |
| Unless otherwise mentioned, dimensions are inches | | | | Revision: | |
| SCALE: 1:5 | | | | SHEET 1 OF 1 | |